



## Trailer Transportable Radome AFC's 8DMS8 Radome

Submitted by Antennas for Communications (AFC)  
August 16, 2009



**Antennas for Communications, Ocala, FL, Inc.**  
350 Cypress Road, Ocala, FL 34472 Tel (352)687-4121  
Fax (352)687-1203 Web: <http://www.afcsat.com>  
Email: [sales@afcsat.com](mailto:sales@afcsat.com)



## Trailer Transportable Radome for for C and X-band Weather Radar



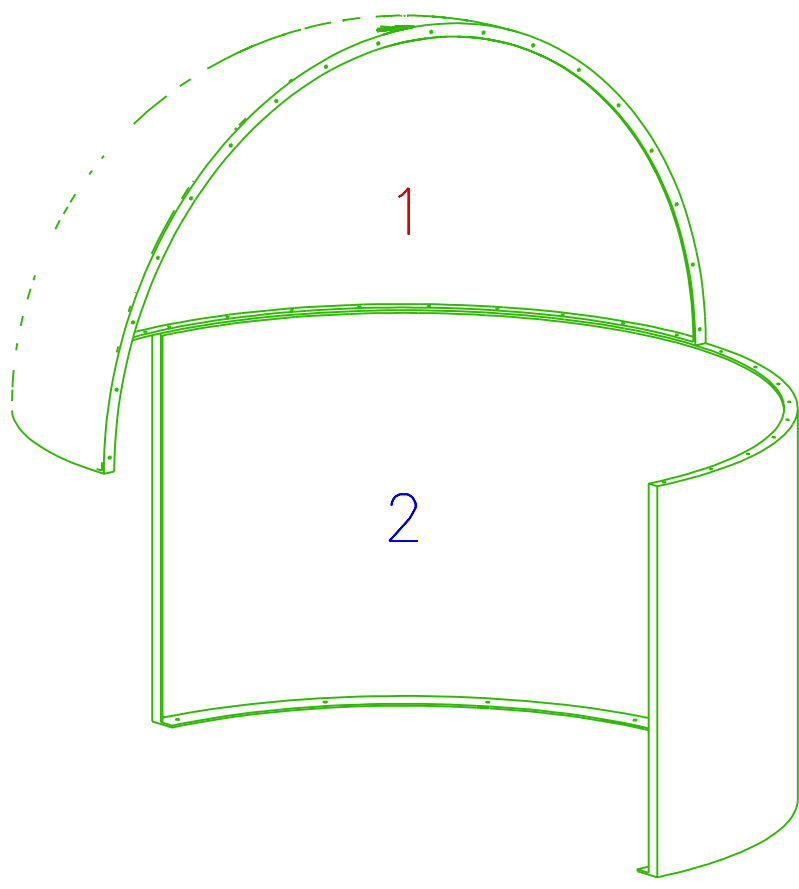
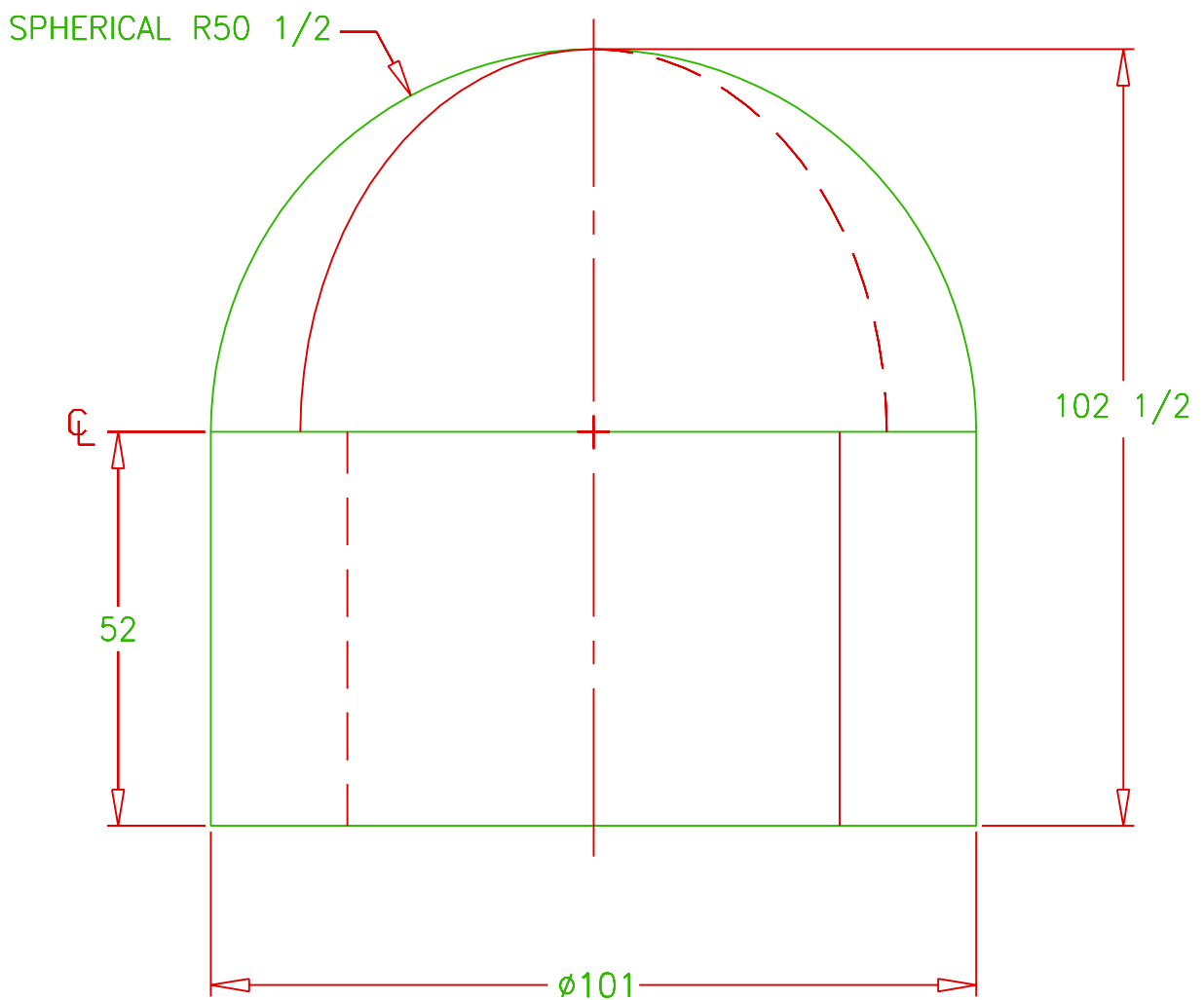
4

2

DWG. NO. 8DMS8001

SH 1 REV A

ZONE REV		DESCRIPTION	DATE	APPROVED



PANEL QTY.

PANEL #1	2
PANEL #2	2

INTERIOR VIEW  
1/2 RADOME

ORIGINAL

These documents by Antennas for Communication contain information of a proprietary nature and shall not be copied or duplicated in whole or in part or used in whole or in part for any purpose other than for preparation of bids or fabrication.

1. ALL MACHINED SURFACES TO BE 125 MICROINCHES OR SMOOTHER.	
2. ALL DIMENSIONS ARE IN INCHES.	
.X ±.1 [2.5mm] FRACTIONS	
.XX ±.04 [1.0mm] ± 1/16	
.XXX ±.008 [0.2mm] ANGLE ±1°	
R. POSNER DESIGN 07/12/01	
L. SPIVEY PRODUCTION 07/12/01	
J. CATES QUALITY 07/12/01	

8' RADOME 8' HIGH	
101" OD x 102.5" DMS RADOME, SPHERE-CYL.	
<b>AFC</b>	8DMS8005
ANTENNAS FOR COMMUNICATIONS INC. OCALA, FLORIDA	
SIZE B	CAGE CODE IGC56
DWG. NO. 8DMS8001	REV. A
DRAWN BY R. KROHNE	DATE 02/01/01
SCALE 1/16	SHEET 1 OF 1

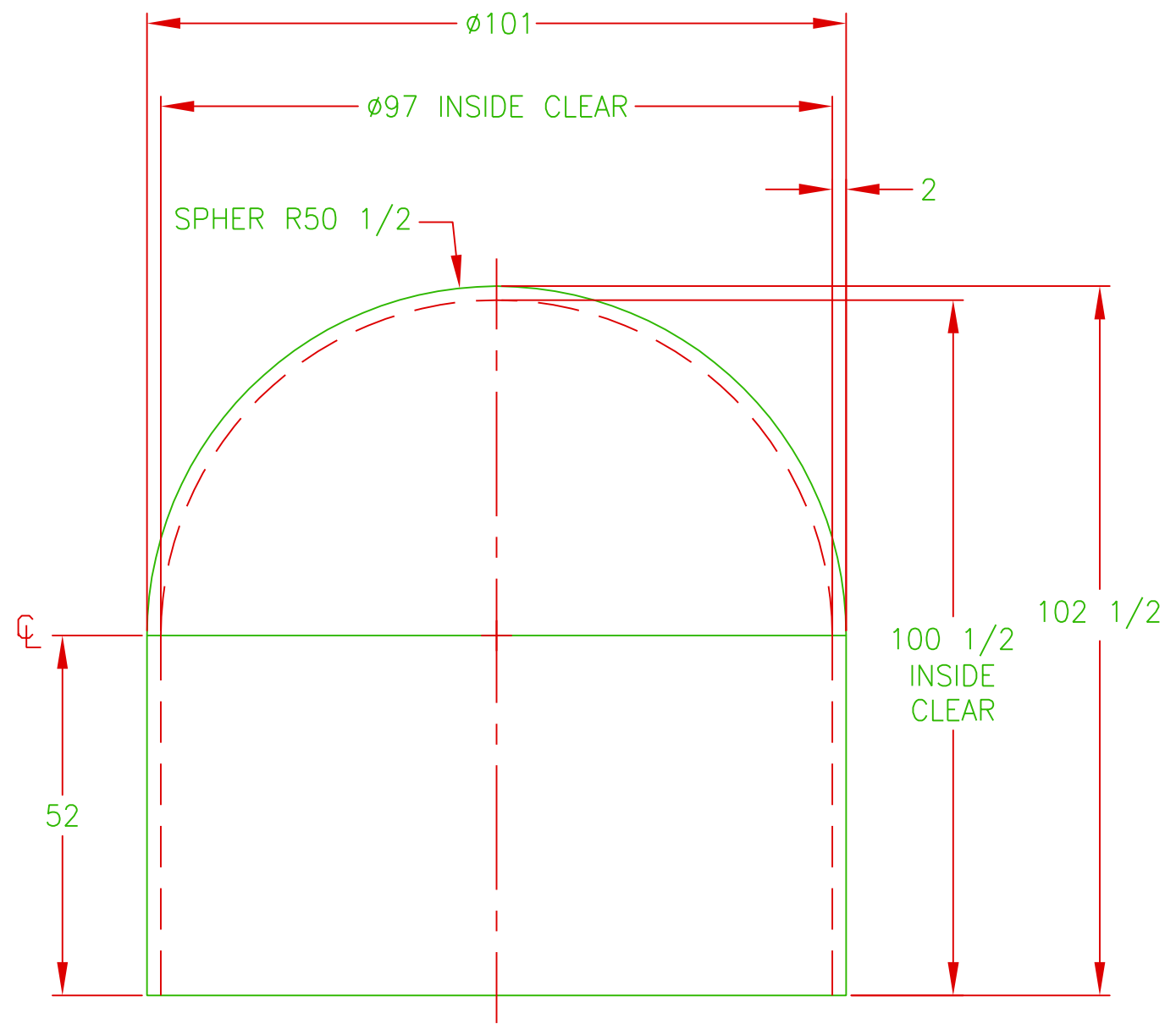
4

3

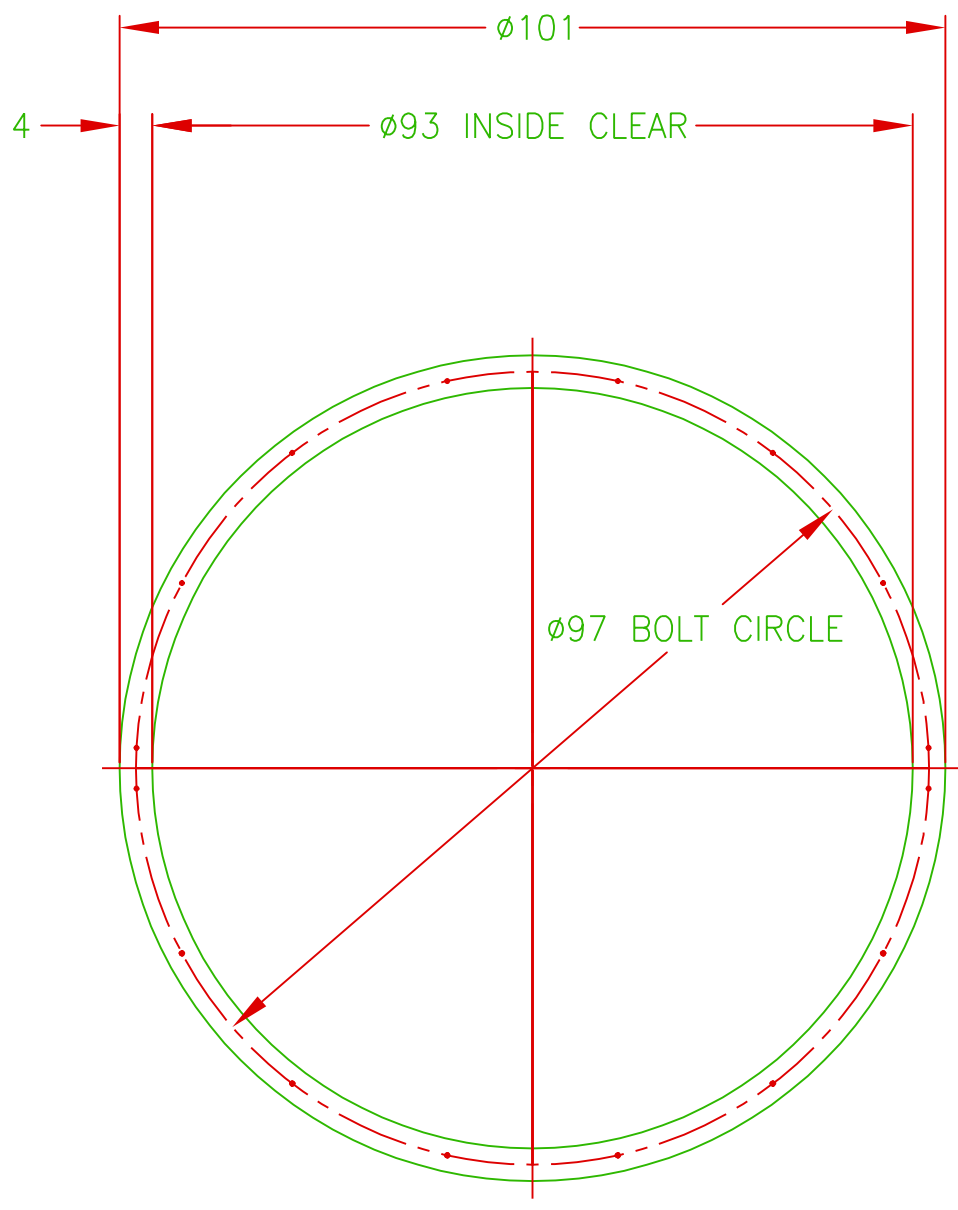
2

1

REVISIONS				
ZONE	REV	DESCRIPTION	DATE	APPROVED



ELEVATION



BASE

ORIGINAL

These documents by Antennas for Communication contain information of a proprietary nature and shall not be copied or duplicated in whole or in part or used in whole or in part for any purpose other than for preparation of bids or fabrication.

1. ALL MACHINED SURFACES TO BE 125 MICRONS OR SMOOTHER.	FRACTIONS	
.X ±.1 [2.5mm]	± 1/16	ANGLE ±1°
.XX ±.04 [1.0mm]	± 1/32	
.XXX ±.008 [0.2mm]	± 1/64	
R. POSNER DESIGN	07/12/01	
L. SPIVEY PRODUCTION	07/12/01	
J. CATES QUALITY	07/12/01	

OUTLINE SPECIFICATIONS			
8' RADOME 8' HIGH			
<b>AFC</b>		8DMS8005	
ANTENNAS FOR COMMUNICATIONS INC. OCALA, FLORIDA			
SIZE	CAGE CODE	DWG NO.	REV.
B	IGC56	8DMS8002	A
DRAWN BY		SCALE	SHEET
R. KROHNE		02/01/01 1/2" = 1"	1 OF 1

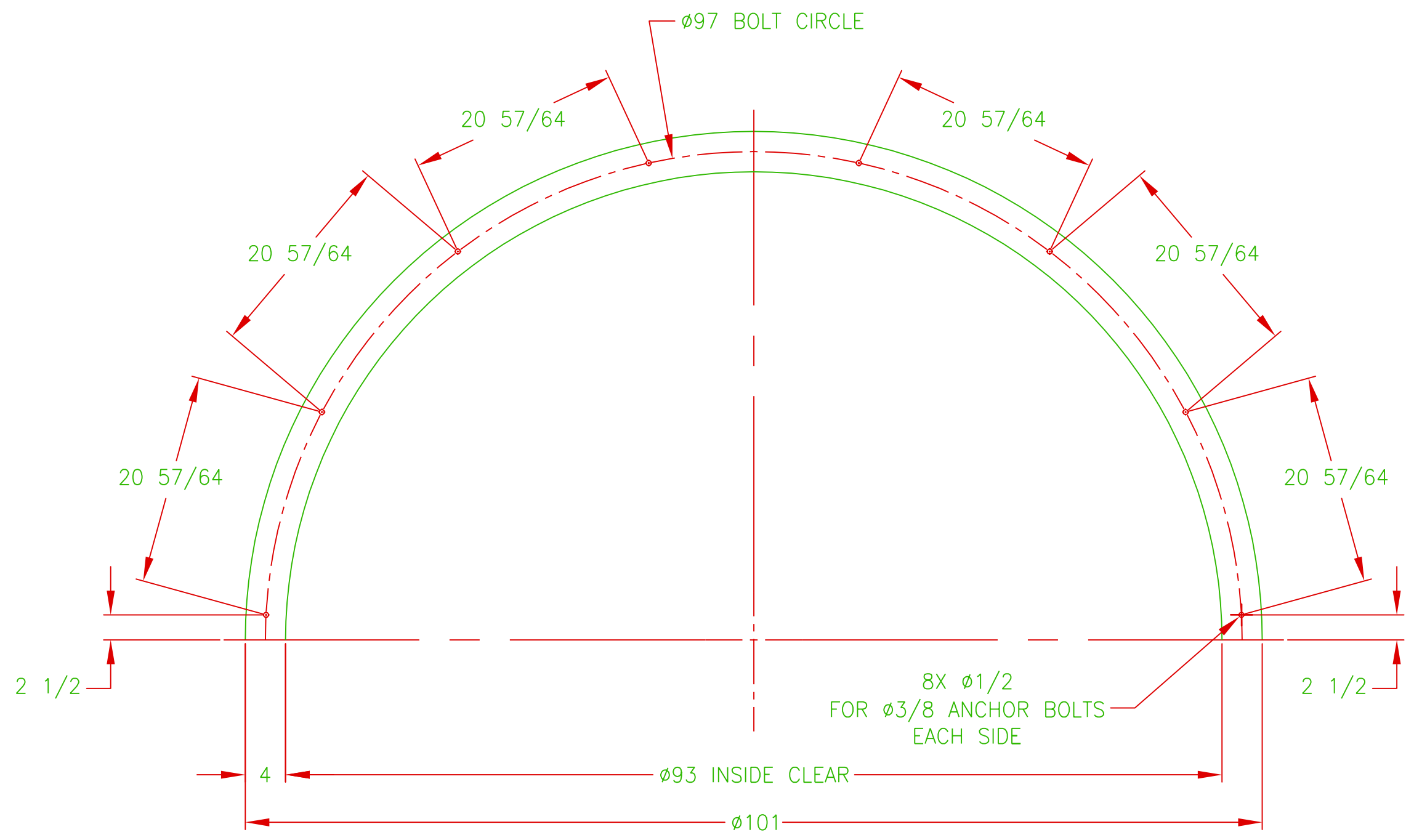
4

2

3 8DMS8003

SH 1 REV A

ZONE REV		DESCRIPTION	DATE	APPROVED



TYPICAL 1/2 BASE BOLT PATTERN

ORIGINAL

These documents by Antennas for Communication contain information of a proprietary nature and shall not be copied or duplicated in whole or in part or used in whole or in part for any purpose other than for preparation of bids or fabrication.

1. ALL MACHINED SURFACES TO BE 125 MICROINCHES OR SMOOTHER.	DESIGN	R. POSNER	07/12/01
2. ALL DIMENSIONS ARE IN INCHES.	PRODUCTION	L. SPIVEY	07/12/01
.X ±.1 [2.5mm]	QUALITY	J. CATES	07/12/01
.XX ±.04 [1.0mm]			
.XXX ±.008 [0.2mm]			

<b>BASE BOLT PATTERN</b>			
101" OD x 102.5" DMS RADOME, SPHERE-CYL.			
<b>AFC</b>		8DMS8005	
ANTENNAS FOR COMMUNICATIONS INC. OCALA, FLORIDA			
SIZE	CAGE CODE	DWG. NO.	REV.
B	IGC56	8DMS8003	A

4

3

2

1